

Hybrid Preamplifiers

RTI has developed a series of hybrid preamplifiers that offer excellent low noise performance coupled with wide dynamic range.



Key Features

- 10-1000MHz Frequency Range
- 30dB Gain / Low Noise
- Available STC Option

Design Note: Radar Technology can customize any of our products to meet your individual system requirements. RTI also offers many form, fit, function replacements to old RHG Electronics Amplifiers.

General Specifications

Source Impedance	50 Ohms
Load Impedance	50 Ohms
Temperature Range	-30°C to +71°C
Power Requirements	+15 VDC or -15 VDC
Connectors	SMA

Optional Specifications

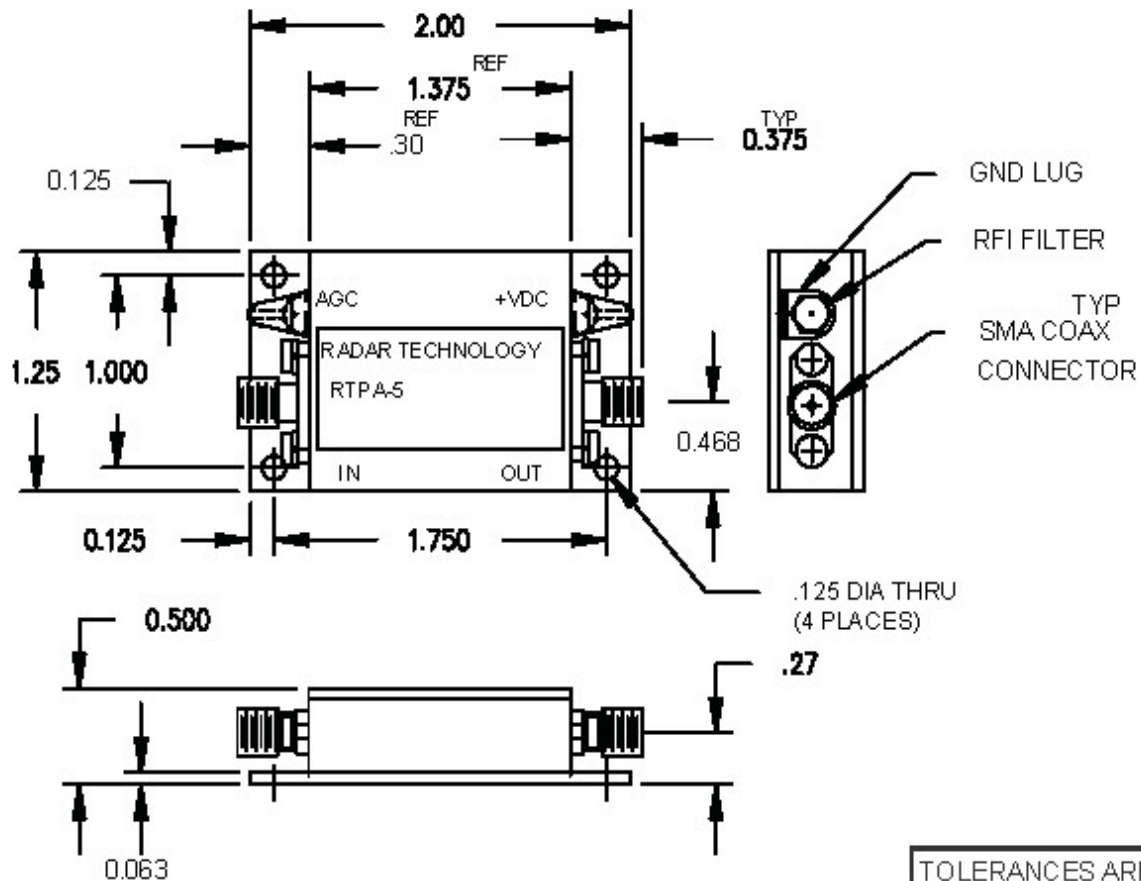
Power Supplies	±12V DC (add suffix C)
STC Gain Control	0 to 4V (add suffix STC)

Specification Table

Model	Center Frequency (MHz)	Bandwidth (MHz)	Noise Figure (dB)	Gain (dB)	1 dB Compression (dBm min)
RTPA-5-1003	10	3	2.5	30	+10
RTPA-5-3010	30	10	2.5	30	+10
RTPA-5-6010	60	10	2.5	30	+10
RTPA-5-7010	70	10	2.5	30	+10
RTPA-5-12020	120	20	3.0	30	+10
RTPA-5-16040	160	40	3.0	30	+10
RTPA-5-300	300	50	3.0	30	+10
RTPA-5-500	500	100	5.0	30	+10
RTPA-5-750	750	200	5.0	30	+10
RTPA-5-1000	1000	500	5.0	30	+10

*Parameters can be modified to meet specific application requirements

Outline Drawing



TOLERANCES ARE:
 DECIMAL .XX \pm .020
 .XXX \pm .010

Notes:

1. Chassis material and covers are AL alloy per QQ-A-250 with yellow iridite finish per MIL-C-5541.